

Version	2.0	Date	7/29/22
Prepared By	JC		

PRODUCT SPECIFICATION

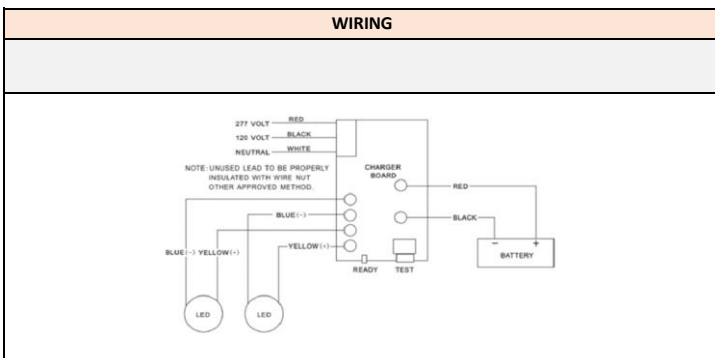
Category	Emergency Exit Sign/Light
Item Number	7522
Stock Code	LEDEM-FD-WH
Mounting	Wall Mount/ Ceiling Mount
Housing Color	White



ELECTRICAL CHARACTERISTICS			
Rated Wattage (W)	2	Battery	3.6V 1000 mAh Ni-MH Battery
Tested Wattage (W)	2		
Input Voltage (V)	120/277V		
Voltage Frequency (Hz)	50/60	Power Factor	0.4
Input Current (A)	0.09A (max)	Dimmable	-
Charging Time	24 hrs	AUX(12V)Line	-
Emergency Run Tim	90 min	THD	<20%

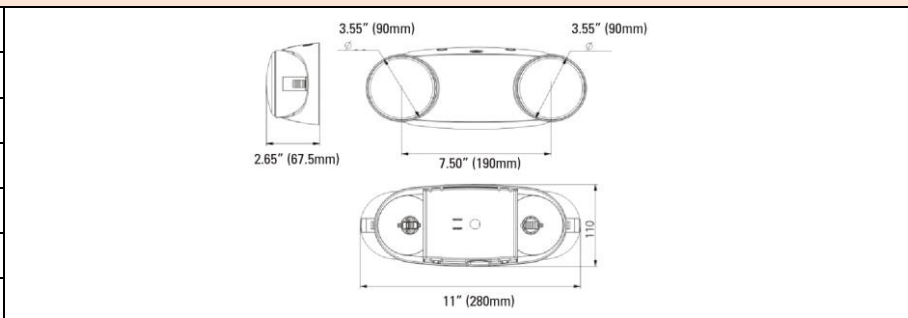
PHOTOMETRIC CHARACTERISTICS			
Color	White	CCT (K)	6500K
Lumen (lm)	240	CRI	80

GENERAL CHARACTERISTICS	
Operating Temperature (°F)	-32°F ~ 104°
Storage Temperature (°F)	-32°F ~ 104°
IP Rating	IP20 (Indoor Only)
Material	Thermoplastic ABS Housing, UL 94V-0 Flame Rating
Rated Life (Hrs)	50,000
Warranty (Yrs)	2



PRODUCT DIMENSIONS

Width- in / (mm)	11" / 280
Height- in / (mm)	4.43" / 110
Depth- in / (mm)	2.65" / 67.5
IK Rating	-
Weight (lbs)	1
Mounting Height (ft)	-
Cable Length (ft)	-



CERTIFICATIONS			
UL/ETL	UL/cUL	CEC	
NSF/ETL Sanitation		JA8	
Energy Star		FCC	✓
DLC		RoHs	✓

DOCUMENTS			
LM79		IES File	
LM80		Dimmer List	

COMMENTS

--